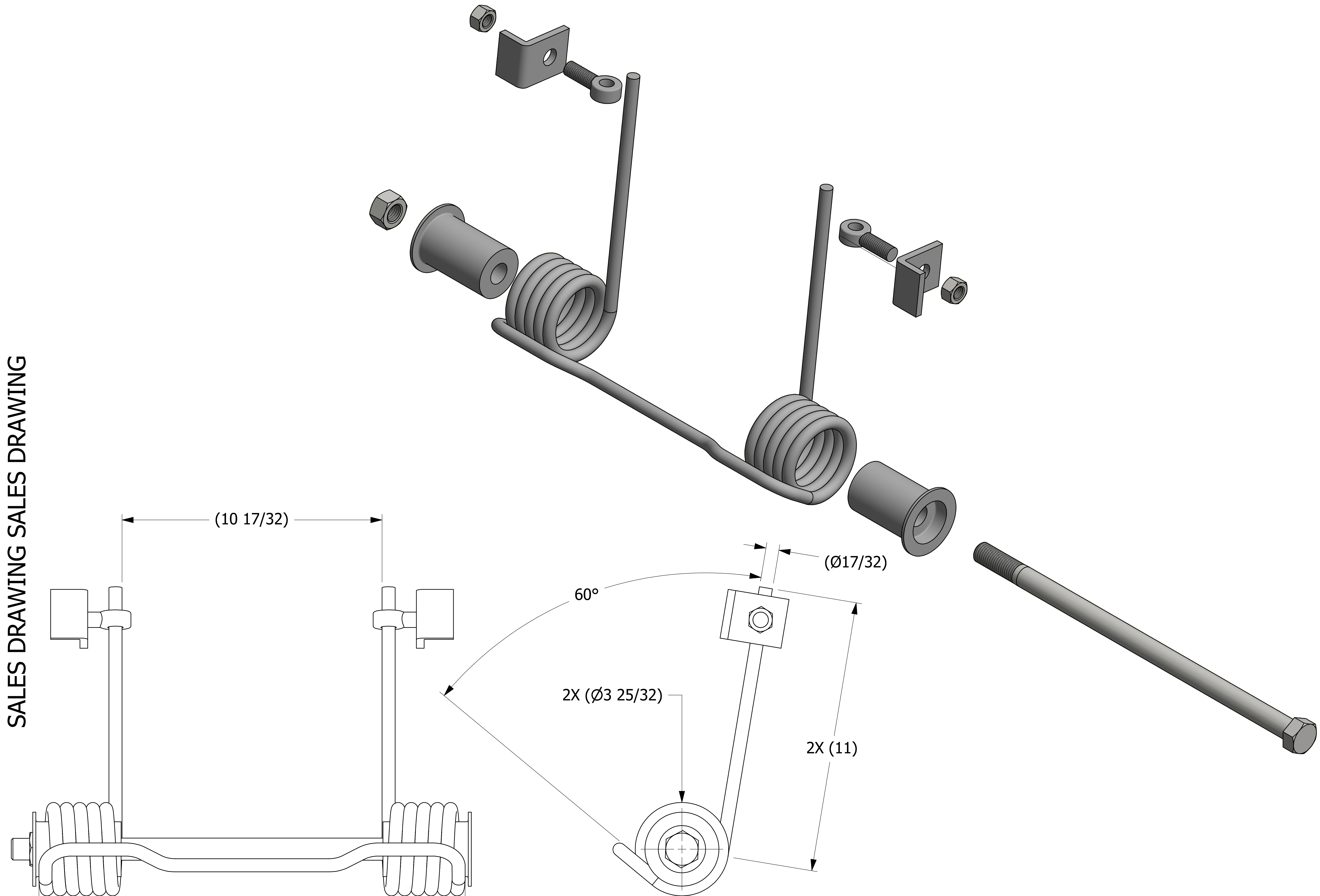


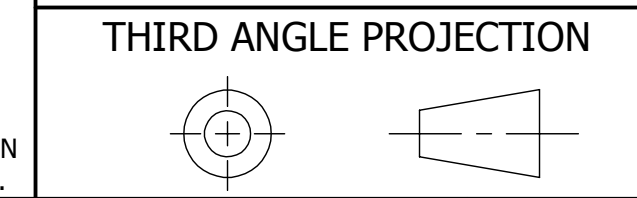
SALES DRAWING SALES DRAWING

SALES DRAWING SALES DRAWING



- NOTES:
 1. FITS ON ACF 30" HOUSING STYLE COVER.
 2. APPROX. TORQUE @ 60° DEFLECTION: 325 FT-LBS.

UNLESS OTHERWISE SPECIFIED DIMENSIONAL TOLERANCES	DRAWN BY:	CHL
FRACTIONAL: ±1/16	CHECKED BY:	WRB
X.XX: ±.03	PROTOTYPE BY:	CHL
X.XXX: ±.015	PROTOTYPE DATE:	12/19/2014
ANGULAR: ±1°	APPROVED FOR PRODUCTION BY:	WEB
DEBURR ALL SHARP EDGES. ALL MACHINED SURFACES TO HAVE A 125 RMS FINISH UNLESS NOTED OTHERWISE.	PRODUCTION DATE:	1/27/2015



A WEB 1-27-15 RELEASED FOR PRODUCTION		
REV	BY	DATE DESCRIPTION
SALCO PRODUCTS, INC.		
PART NAME: LIFT ASSIST		
MATERIAL: CS / SS		
PROJECT #:	R141208	SHEET #: 1 OF 1 SCALE: 3:4
DRAWING #:	E40508	PART #: LAD30ACF3